

Professional Weed Brushes - UB 6080 MH series

For Tractors and Front Mowers 30 - 60HP



- This is our mid-size professional, heavy duty weed brushes with hybrid mechanical/hydraulic drive for fitment to compact tractors.
- Compact tractors don't typically come with enough hydraulic services fitted to easily operate the weed brush functions, so we provide a pump, tank and motors in a self contained hydraulic system. Providing 30 l/m oil flow to run the functions from the tractor PTO.
- All these functions are controlled from the cab with either a remote control or joystick system, controlling the brush angle in all axis, the angle of the arm relative to the tractor and the engagement of the brush.
- The weed brush can be fitted with softer versa brushes for working on block paving and large areas, or aggressive Hausa (Wire rope) brushes for ripping through turf edges.
- The UB 6080 MH range sport robust construction techniques, with CNC folded and welded, heavy gauge steel, making them lightweight and compact, but extremely tough.
- The head is adjustable in angle to reduce brush wear, apply greater pressure to the surface or deal with cambers.
- An adjustable guard and low brush speeds work together to keep debris close to the brush.
- Brushing height is finely adjusted by a heavy duty gauge wheel - adjusted on a spindle for precise positioning of the brush, larger adjustments can be made by the linkage.

For more info



MECHANICAL DRIVE

UB 6080 MH

Working width	30cm
Weight	158kg
Oil flow required to operate	30l/min
Diameter brush	60/80cm
Brush type	Versa/hausu

Optional Accessories

1	Brush Plate 60cm with versa brushes	BT 060 FL
2	Brush Plate 80cm with versa brushes	BT 080 FL
3	Brush plate 80cm with plastic coated hausu brushes	BT 080 DS-KU
4	Control unit with Joystick	ST-UB-JS
5	Control unit with Remote control	ST-UB-RC

Mounting options for UB 6080 MH Series

The following options are the basic types of mounting systems. Within these broad categories are many individual varieties; particular to power unit or linkage manufactures. Precise details of mounting vehicle should be supplied to ensure correct fitment.

ABR UB DP - Tractor front linkage with CAT 1 or CAT 2 link arms. The bracket is fixed to the weed brush because tractor front linkage provides float for the brush. Allows weed brush to connect to link arms.

ABR UB KD - Tractor front linkage with CAT 0 or CAT 1 A-Frame connection. The bracket is fixed to the weed brush because tractor front linkage provides float for the brush. Allows weed brush to connect to a linkage triangle.

ABR UB FM - Front Mower connection .The bracket is fixed to the weed brush because mower lift arms provide float for the brush. Allows weed brush to connect to mower lift arms.



1 60cm Replaceable head with versa brushes

The UB 6080 MH Comes without a brush head. The brush head must be selected to suit the application requirements. Versa brushes are a less aggressive option, which is ideal for removing moss and weeds on surfaces such as block paving or tarmac. The brush is made up of two types of wire, a thicker Filament type cuts the material away from the surface. While the finer wire strands sweep the surface for a clean finish.

2 80cm Replaceable head with versa brushes

A larger diameter head with versa brushes fitted. Versa brushes are a less aggressive option, which is ideal for removing moss and weeds on surfaces such as block paving or tarmac. The brush is made up of two types of wire, a thicker Filament type cuts the material away from the surface. While the finer wire strands sweep the surface for a clean finish.

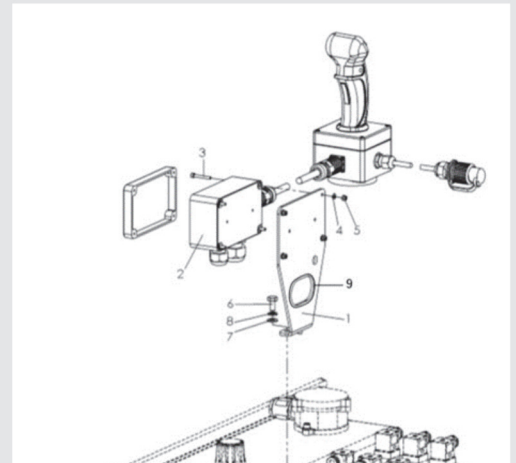


3 80cm Replaceable head with plastic coated hausa brushes

The weed brush can also be fitted with hausa brushes. These are a more aggressive style of brush, which is preferable for ripping turf away to create an edge. The surface finish will not be as clean as with a versa brush and care must be taken not to damage the surface with the more aggressive brush style.

4 Control unit with joystick

The weed brush functions require a control unit to operate them. There is a choice of a joystick or remote control style. The control unit comes with an electric valve block for controlling 3 hydraulic cylinders. The joystick allows easy operation from the cab using the buttons to operate the brush angle on all axis and also the angle of the weed brush arm relative to the tractor.



5 Control unit with remote control

The weed brush functions require a control unit to operate them. There is a choice of a joystick or remote control style. The control unit comes with an electric valve block for controlling 3 hydraulic cylinders. The remote control allows easy remoter operation using the buttons to operate the brush angle on all axis and also the angle of the weed brush arm relative to the tractor.

